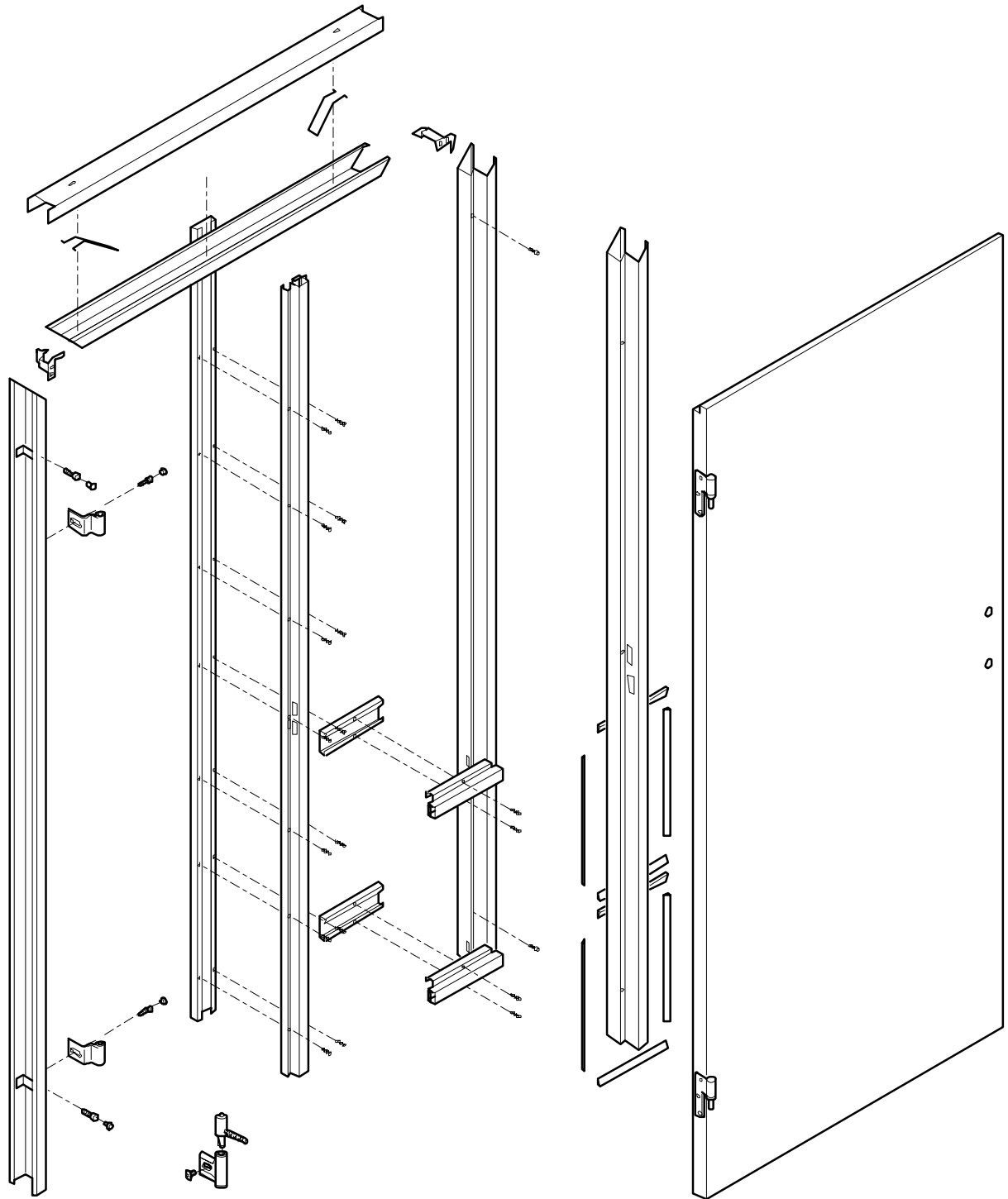


# Installation Instructions

## MonoPlus®





# MonoPlus table of contents

## MonoPlus assembly frame

How to use this guide	4
MonoPlus parts	7
Assembling the frame	8
Suspending the door	17
Positioning the glass	18

## How to use this assembly guide

This guide will provide you with clear step-by-step instructions for assembly of the MonoPlus assembly frame. This guide consists of illustrated and textual instructions. The list of auxiliary tools and parts shows the correct names and refers to the auxiliary tools and parts in order of assembly.

### Assembly instructions for seven frame types!

These assembly instructions are intended for all MonoPlus frame types. To indicate whether the action applies to the frame you are assembling, icons of all frame types are shown:

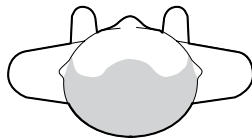
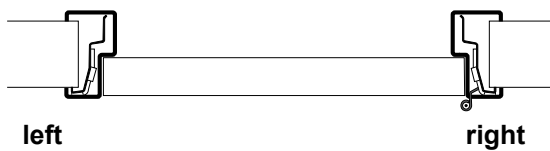


- Dark icon: the action applies to the assembly of that frame type.

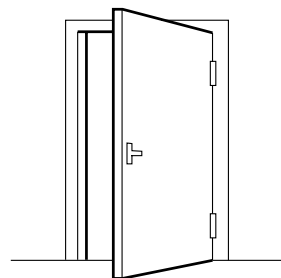
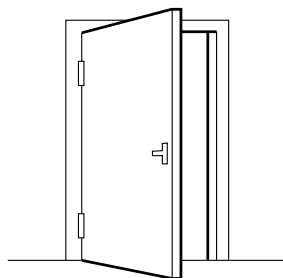


- Light icon: the action does not apply to the assembly of that frame type.

### Which is left, which is right?



### Left-hinged/right-hinged door



left-hinged \* right-hinged\*

\*door opens towards you

**Attention! Assembly sequence for mirrored versions**

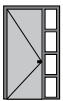
These assembly instructions are intended for a left-hinged door and a frame system with the door on the left side of the frame and the sidelights on the right side of the frame. However, there are several options:



a. Left-hinged door, no sidelight



b. Right-hinged door, no sidelight



c. Left-hinged door, with sidelight on the right side of the door, wall stile = hanging stile



d. Right-hinged door, with sidelight on the left side of the door, wall stile = hanging stile

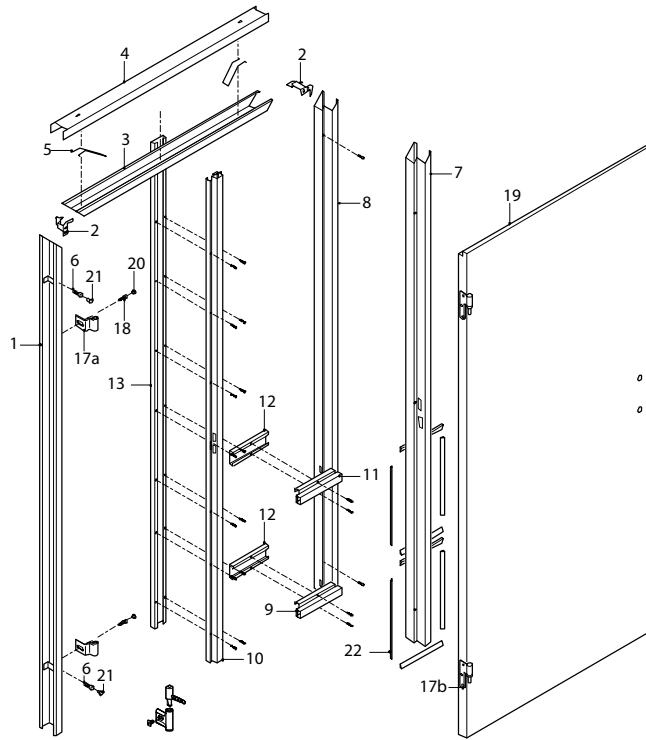
**Attention!**

Storey-high doors and the versions with skylights or door panels fall under the above classification.

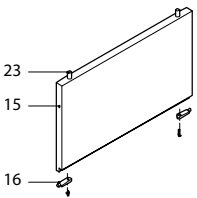


# MonoPlus parts

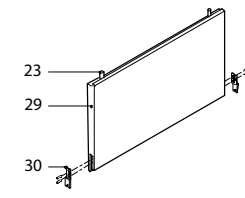
MonoPlus with lintel in



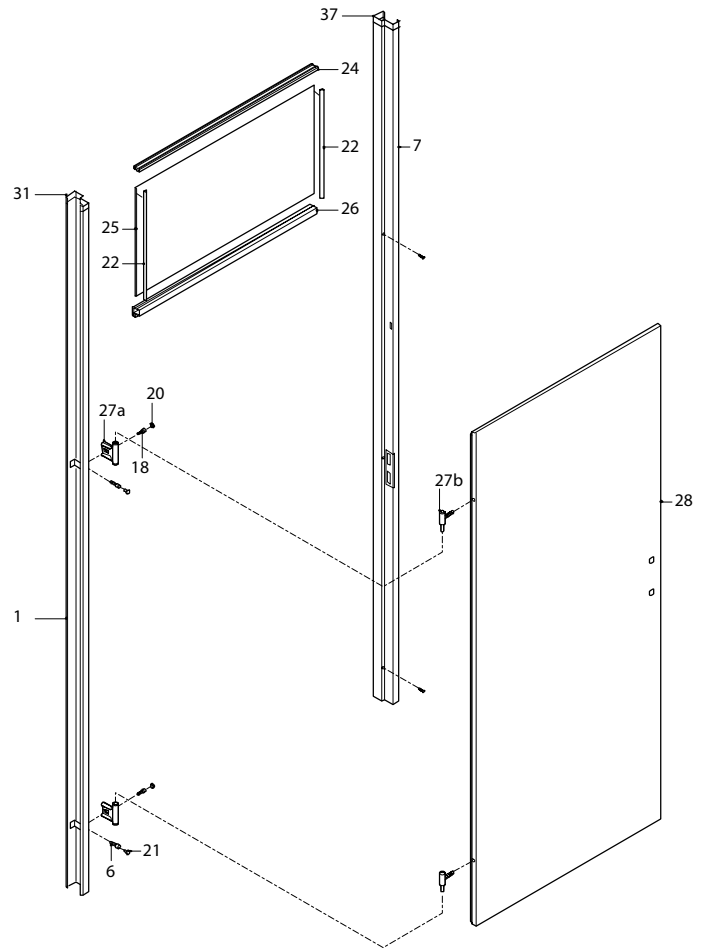
Bovenpaneel stomp



Bovenpaneel opdek



MonoPlus mitre with lintel version (model 3)



## Parts

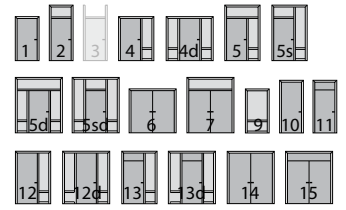
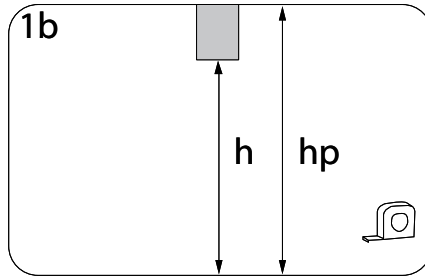
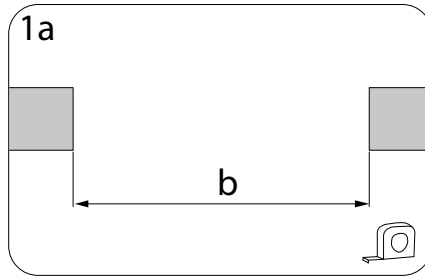
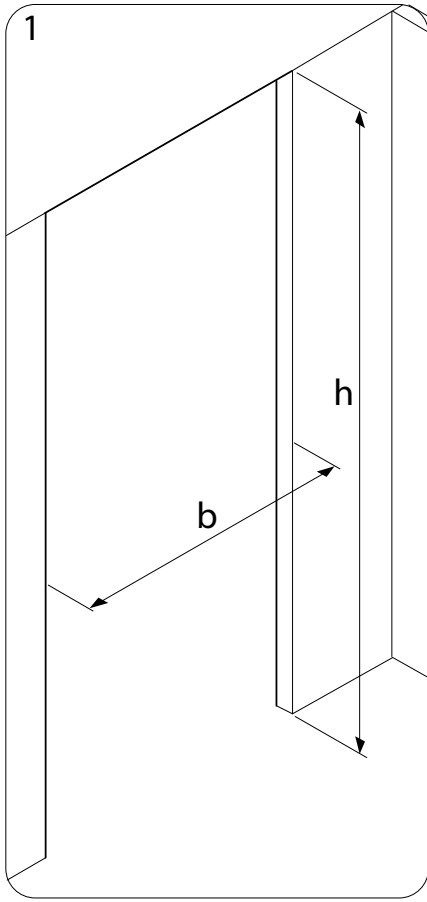
1. Hanging stile
2. Mitre joint bracket
3. Lintel
4. Ceiling recess
5. Wire spring
6. Hex bolt
7. Closing stile
8. Wall stile
9. Ground ruler
10. Front stile
11. Front transom
12. Opposite half of front transom
13. Opposite half of front stile
14. Doorstop
15. Top panel flush-mounted
16. Bearing lip

- 17a. Bottom half of Fluence hinge
- 17b. Top half of Fluence hinge
18. Hinge bolt, M6x7
19. Flush-mounted door
20. Sealing cap Ø12
21. Sealing cap Ø10
22. Glass frame
23. Thief-secure pen
24. Lintel version
25. Glass or board panel (4-7 mm)
26. Transom version
- 27a. Top half of MonoPlus hinge
- 27b. Bottom half of MonoPlus hinge
28. Rebated door
29. Top panel rebate
30. Bearing clamp
31. Sliding element (extend max. 7 cm)

## Auxiliary tools

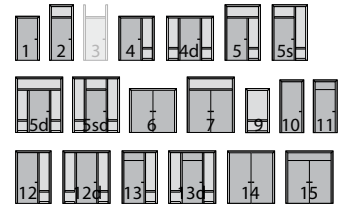
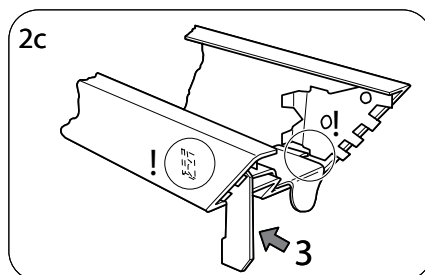
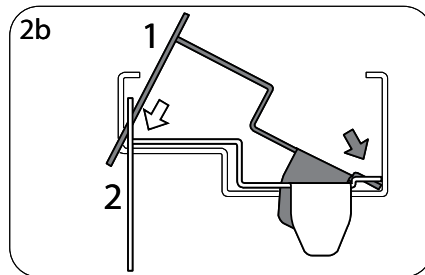
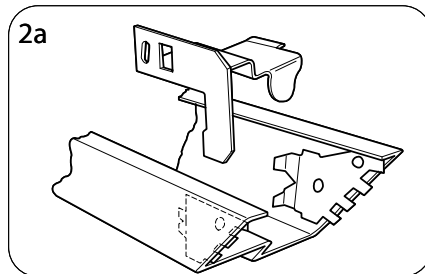
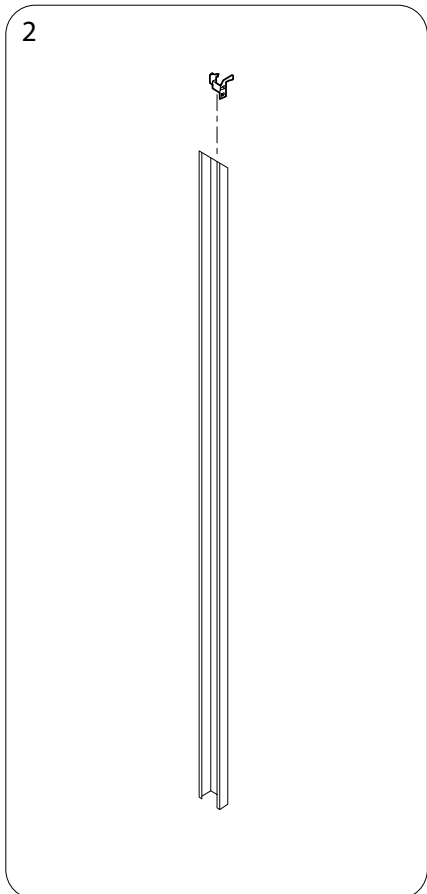
- Tape measure
- Spirit level
- Pencil
- Crankshaft Allen key SLW 5
- Drilling machine
- Phillips screwdriver

## Assembling the frame



1. Check the recess.  
Take the frame parts out of the packaging.

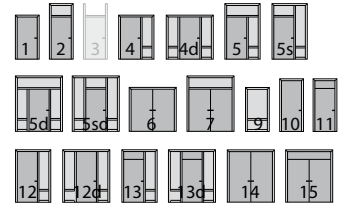
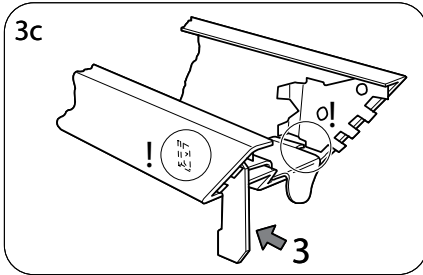
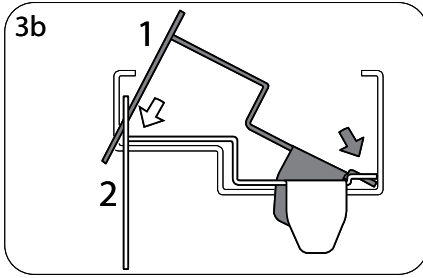
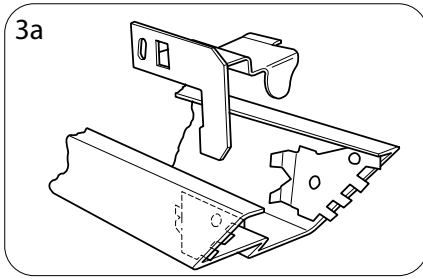
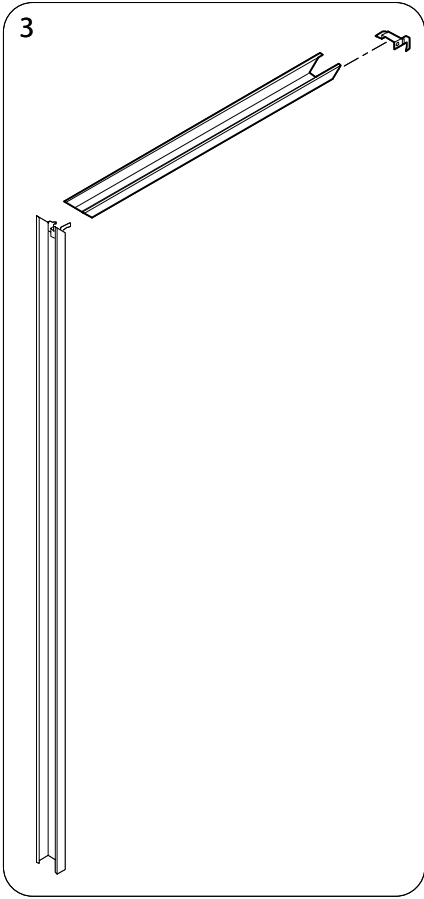
$b = \text{lintel length} - 25$   
 $h = \text{stile length} - 15$   
 $hp = \text{minimum stile length} + 20$



2. Click the mitre joint bracket in three movements in the left stile.

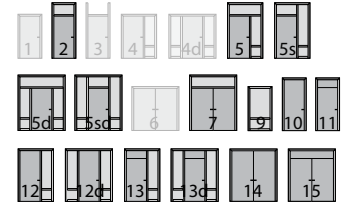
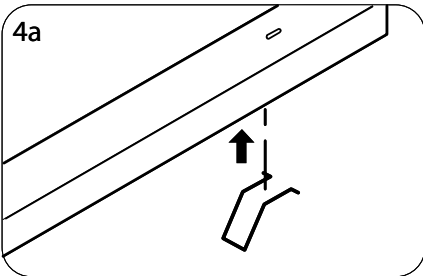
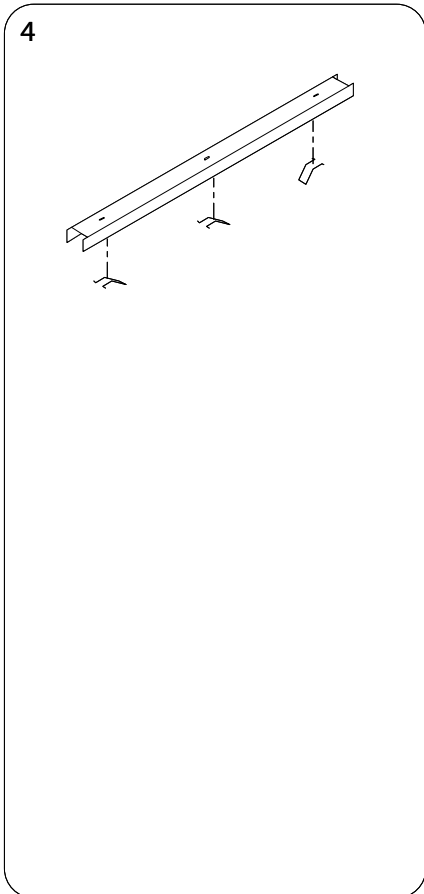
**Attention!**  
 Make sure that the mitre joint bracket engages well in the mitre plates.



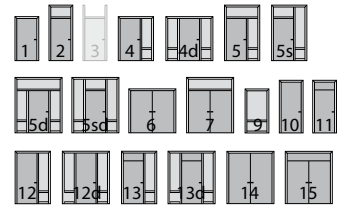
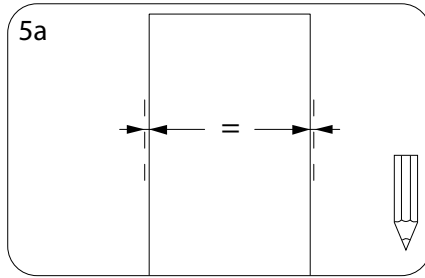
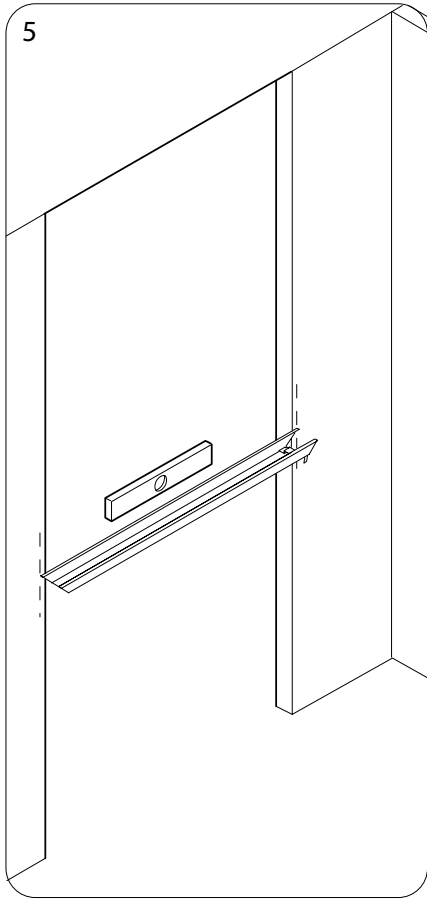


3. Click the mitre joint bracket in three movements on the right side of the lintel.

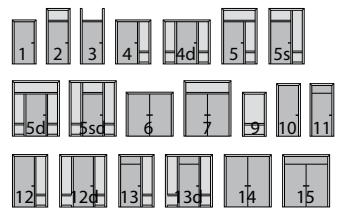
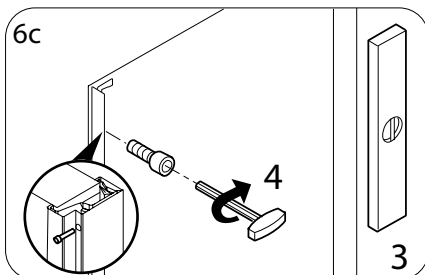
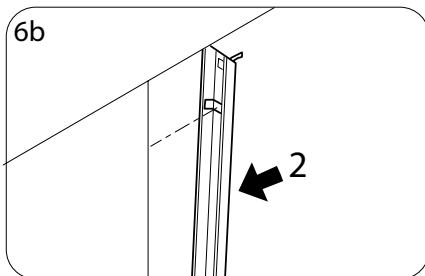
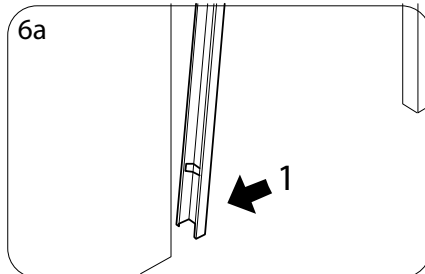
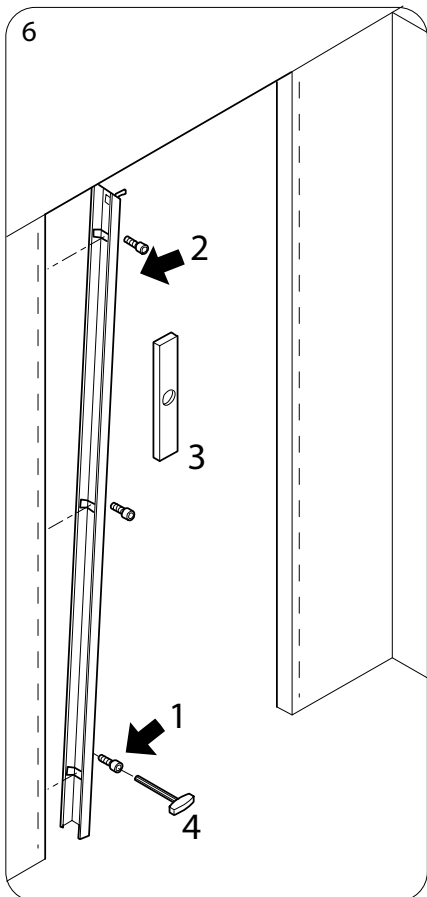
**Attention!**  
Make sure that the mitre joint bracket engages well in the mitre plates.



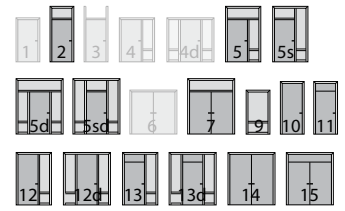
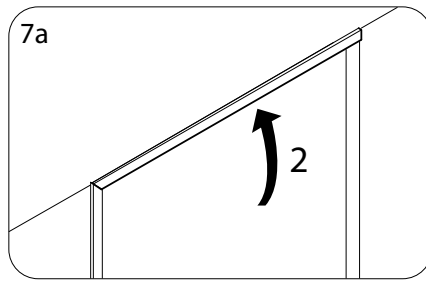
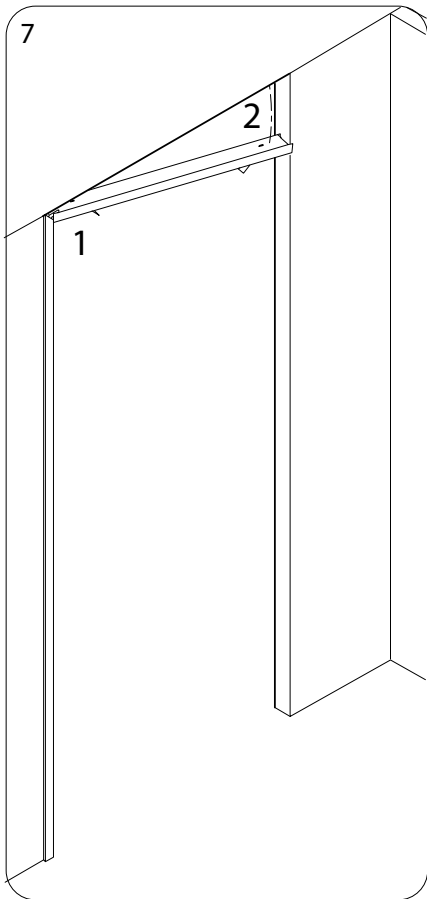
4. Fit the springs in the ceiling recess.



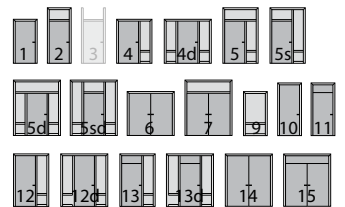
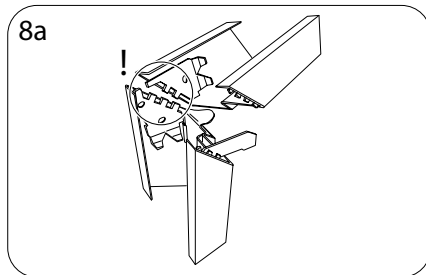
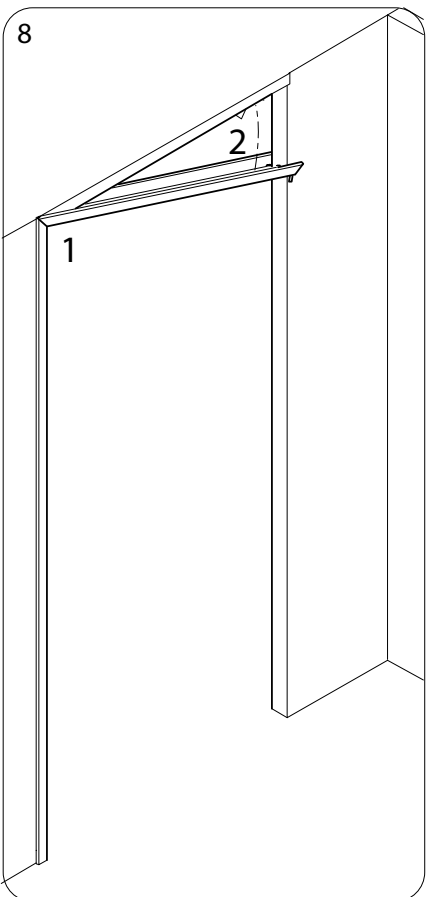
5. Mark the outer dimensions of the frame on the wall. Use the lintel for this.



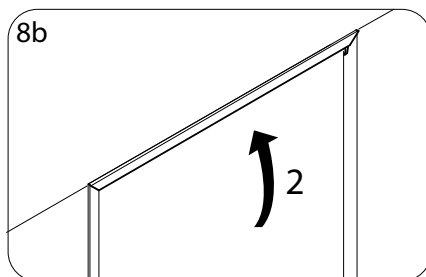
6. Fit the left stile around the architrave and plumb it. Fit the crankshaft bolts in the clamping brackets and tighten them.



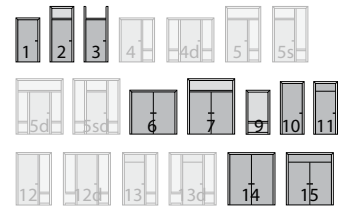
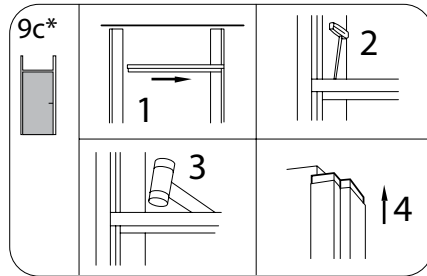
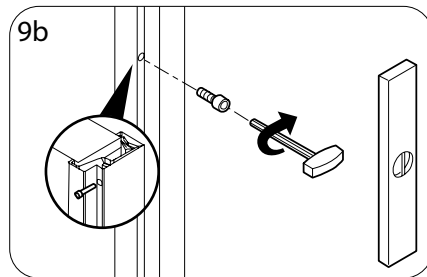
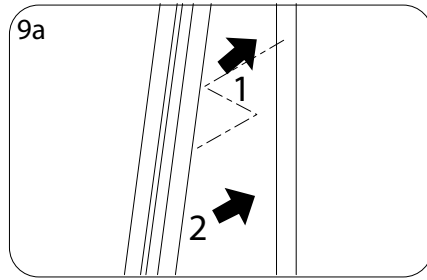
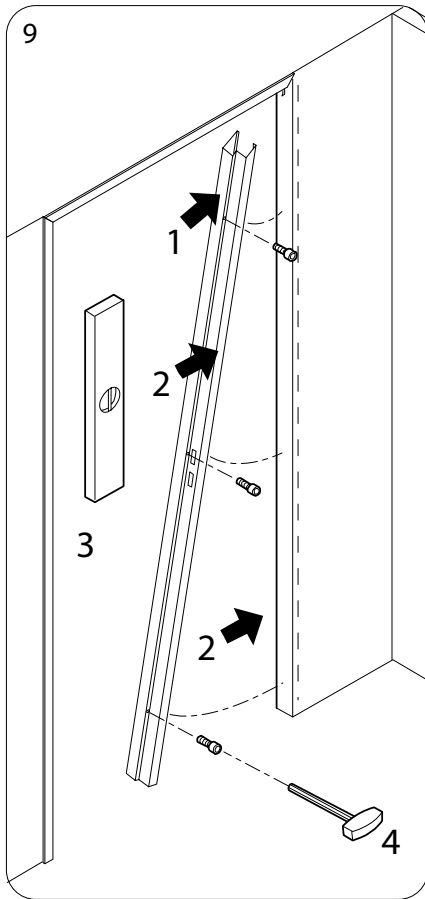
7. Fit the ceiling recess in the opening or place it in the lintel and fit it at the same time as the lintel.



8. *Position the lintel.*



**Attention!**  
 Make sure that the tothing of the stile and the lintel engage well with each other.

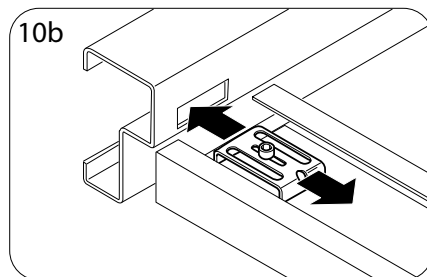
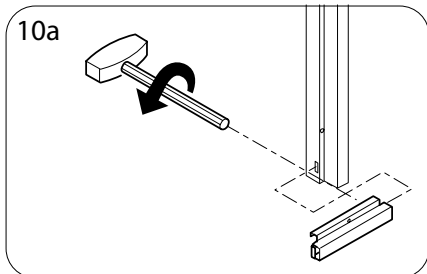
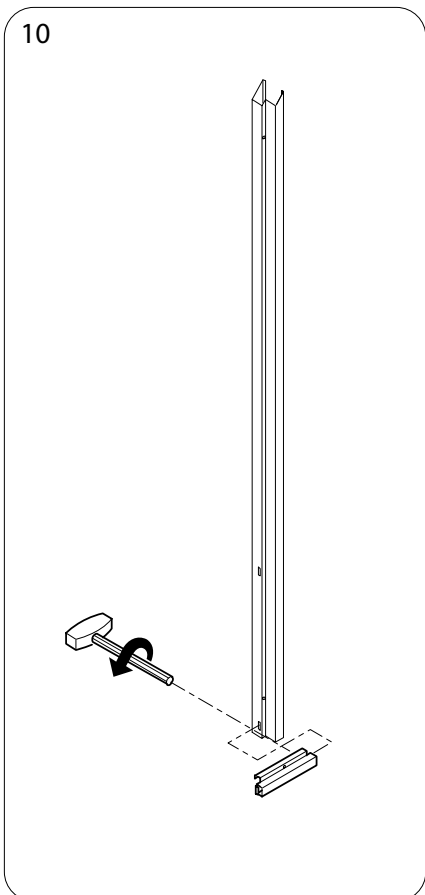


9. Fit the right stile on the lintel and plumb it. Fit the crankshaft bolts in the clamping brackets of the wall stile and tighten them.

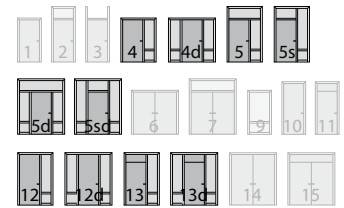
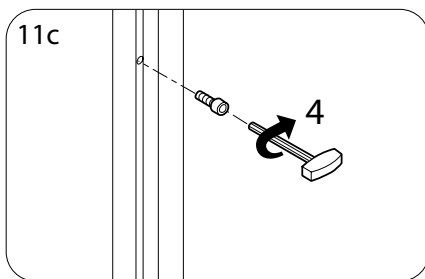
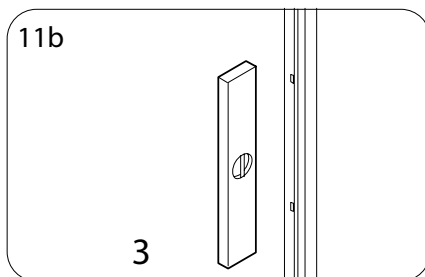
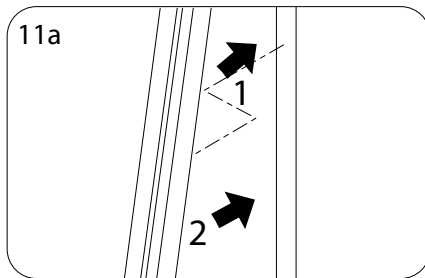
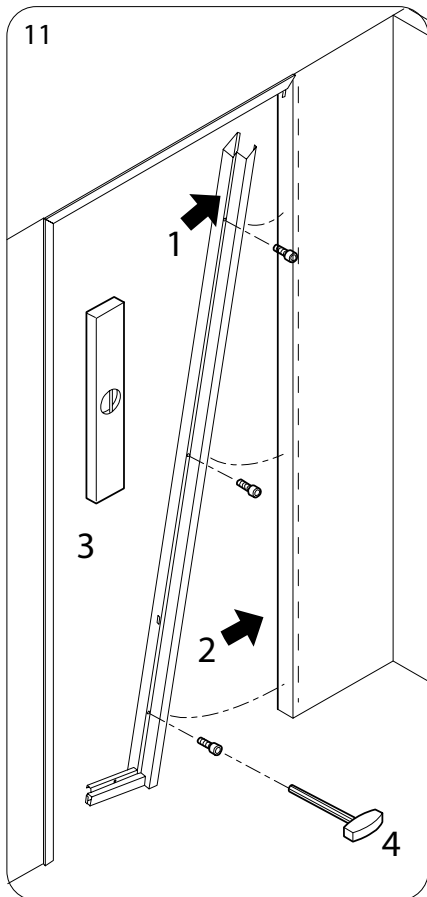
**Attention!**  
Make sure that the tothing of the stile and the lintel engage well with each other.

9c model 3

- 1 Hook the fixed hook bracket (right) of the transom version into the slotted hole of the right stile.
- 2 Slide the adjustable hook bracket (left) outwards. Hook the left stile into it.
- 3 Secure the transom with a single stroke (plastic hammer!)
- 4 Slide the sliding elements against the ceiling (extend max. 7 cm)

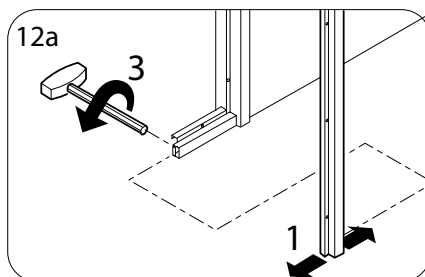
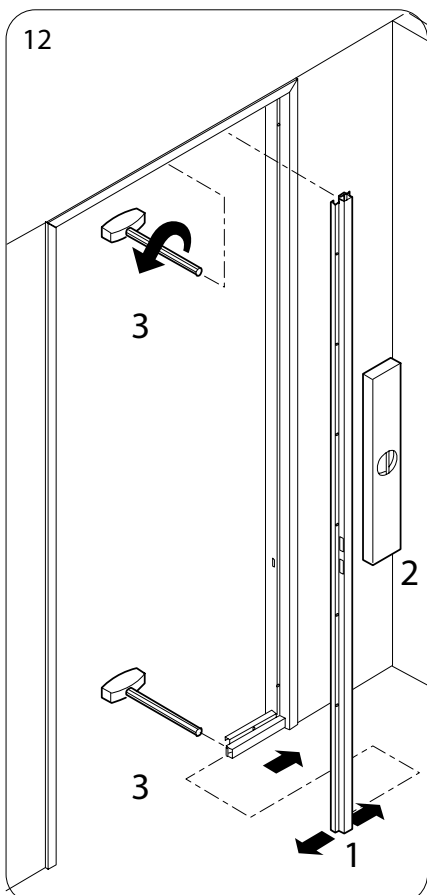


10. Fit the right stile on the ground ruler. Slide the clamp plate through the hole in the stile. Hook the clamp plate behind the rebate. Tighten the Allen screw.

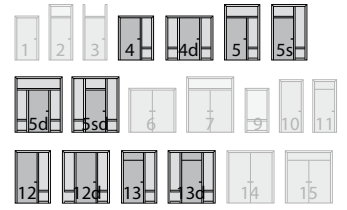
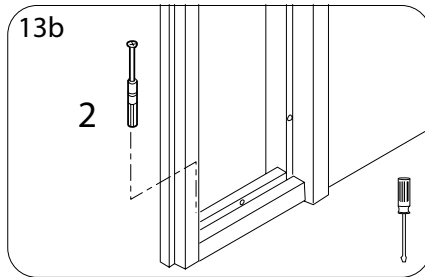
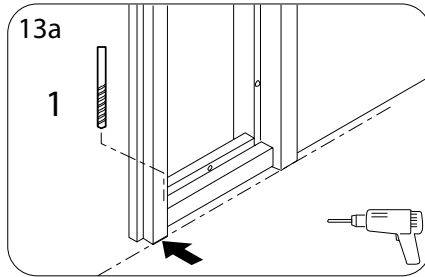
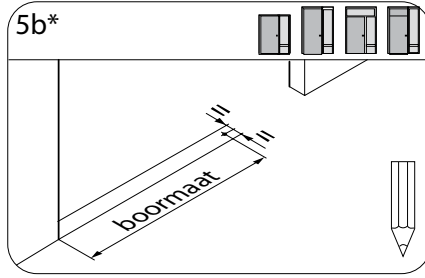
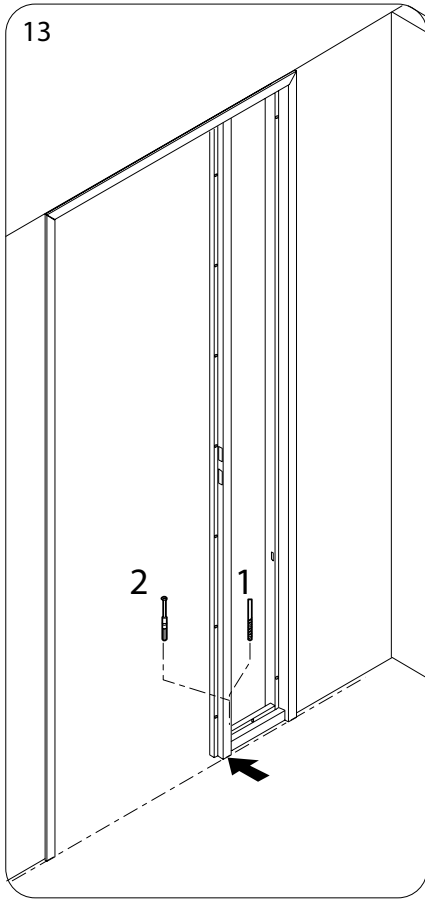


11. Fit the right stile/ground ruler composition on the lintel and plumb it. Fit the crankshaft bolts in the clamping brackets of the wall stile and tighten them.

Attention! Make sure that the tothing of the stile and the lintel engage well with each other.



12. Fit the front stile between the lintel and the ground ruler. Connect both ends using the pre-assembled clamp plate.



13. Anchor the ground ruler to the floor.

**Attention!**  
Make sure that the three stiles are aligned.

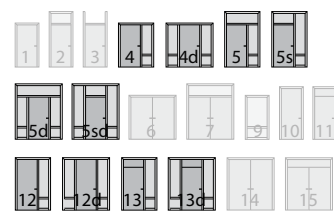
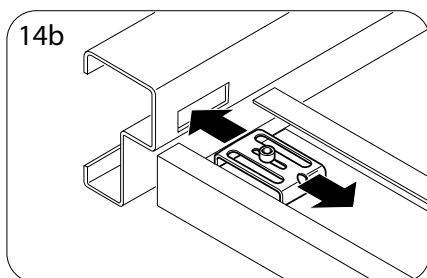
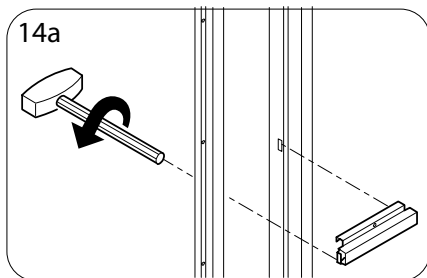
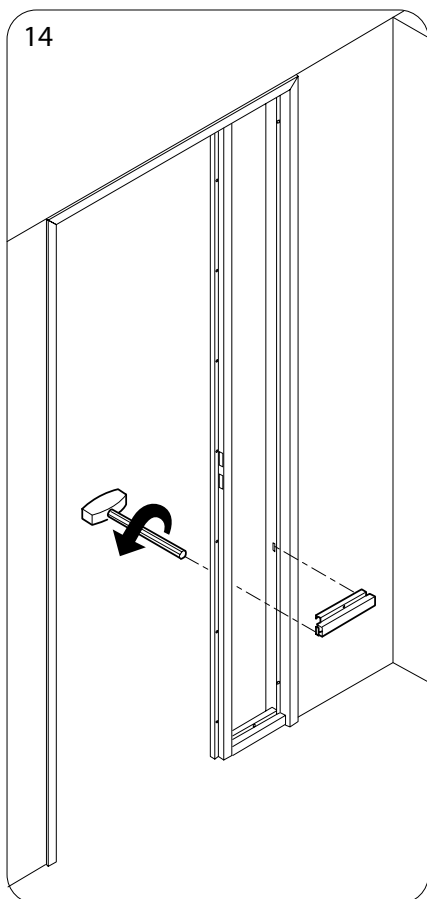
13a Mark the drill size on the ground, corresponding to the hole in the ground ruler.

**Dimensions**  
Door width Drill size  
830 mm 910 mm  
880 mm 960 mm  
930 mm 1010 mm

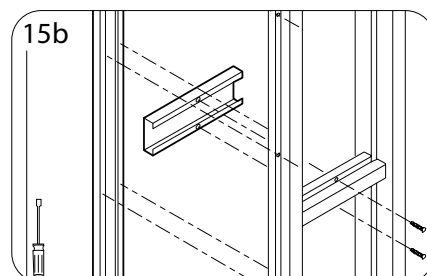
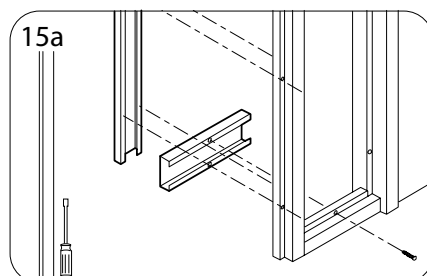
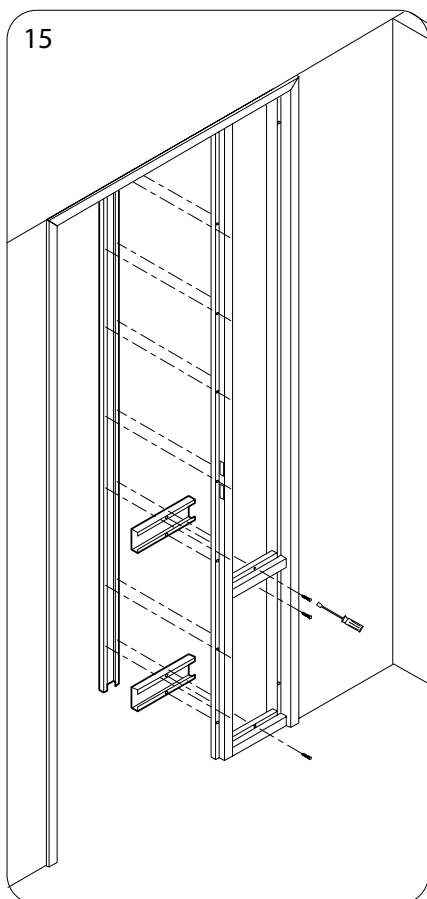
**Attention!**  
If the front is positioned such that it is mirrored, the drill size will also be mirrored.

13b Drill a hole in the floor, corresponding to the hole in the ground ruler.

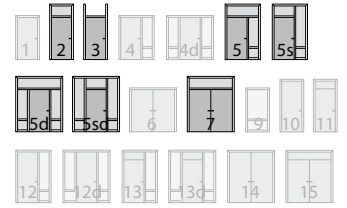
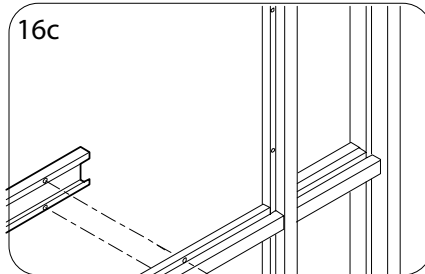
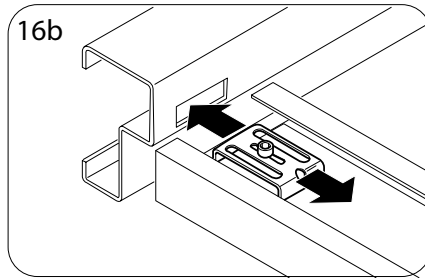
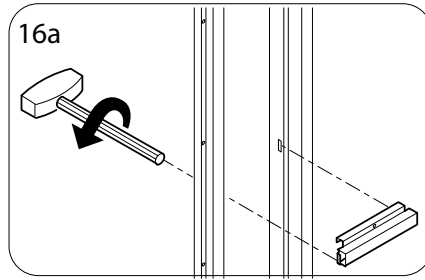
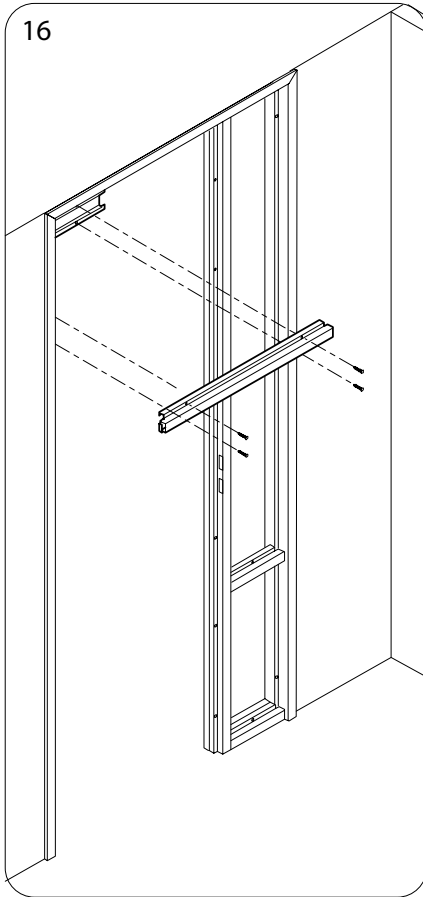
13c Insert the plug into the hole and tighten the screw in the plug.



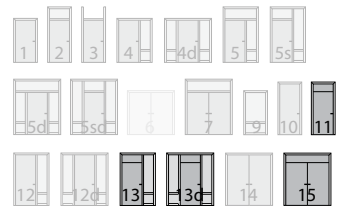
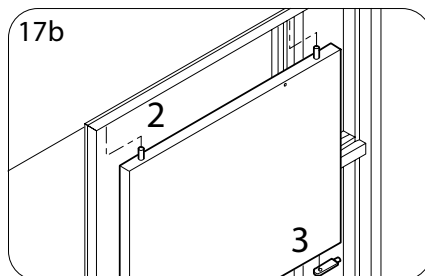
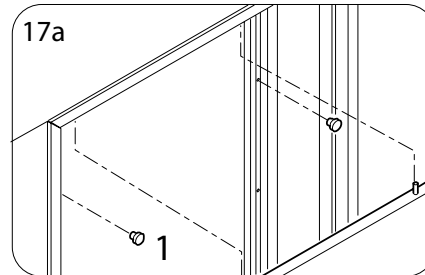
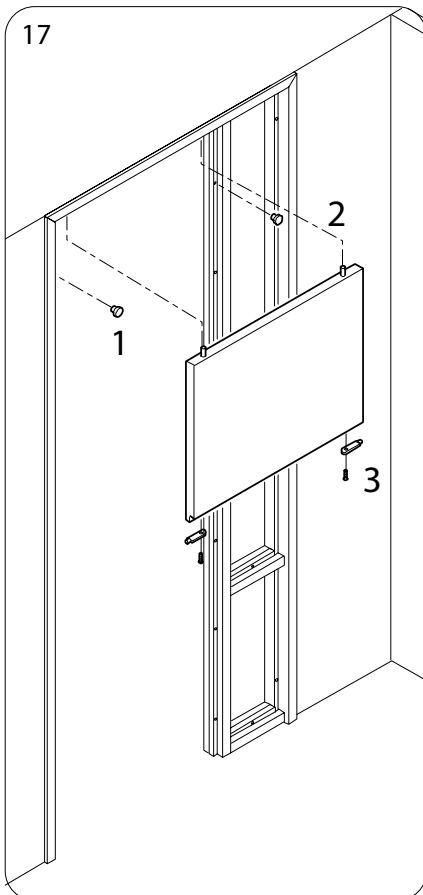
14. Fit the transoms between the front stile and the wall stile using the pre-assembled clamp plate.



15. Fit the opposite halves of the front stile, ground ruler and transoms. Use a hex head screwdriver for this.



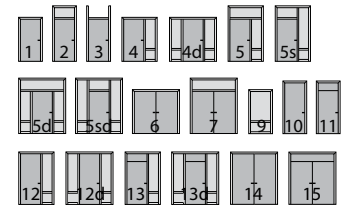
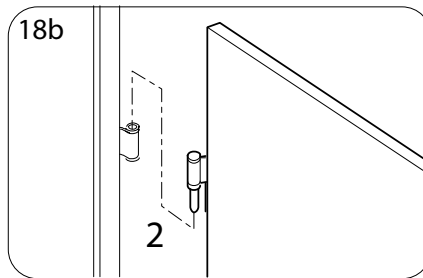
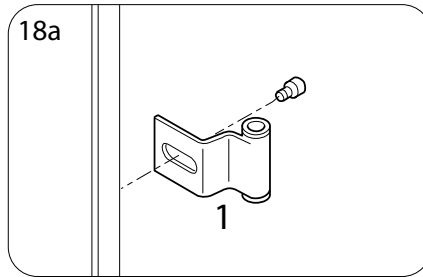
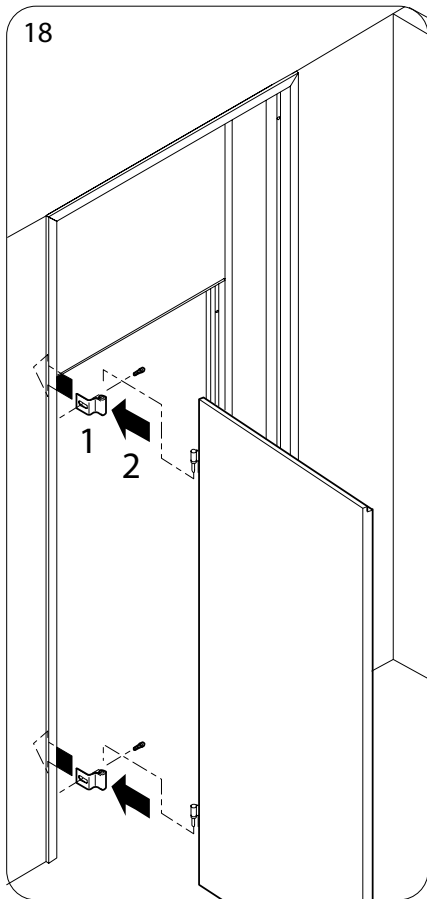
16. Fit the transom using the pre-assembled clamp plate. Then fit the opposite half of the transom. Alternatively, fit the variant transom. (See point 9c)



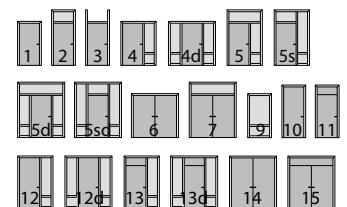
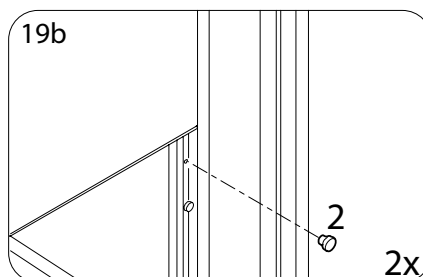
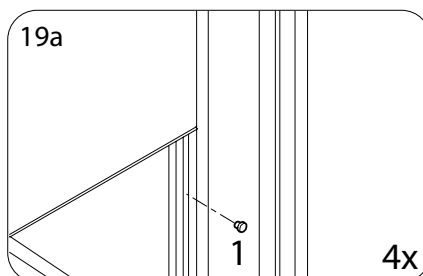
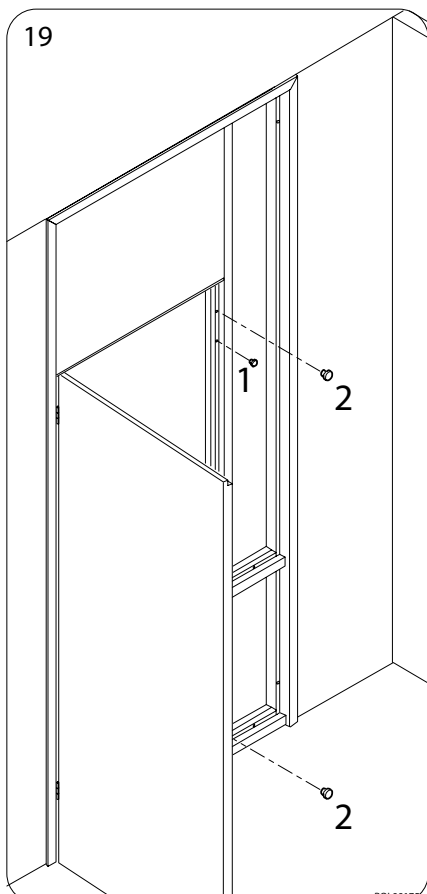
17. Fit the lintel in the frame:  
 - First place the sealing caps at the height of the top panel in the frame.  
 - Now fit the lintel using the bearing lips (flush-mounted version) or bearing clamps (rebated version). Screws are not provided by Theuma.



## Suspending the door



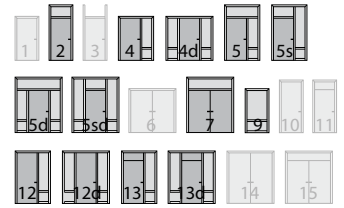
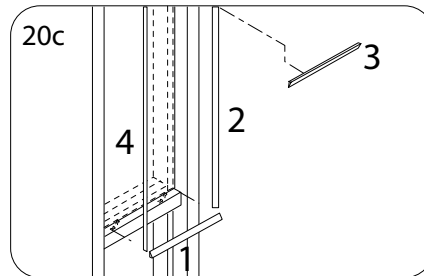
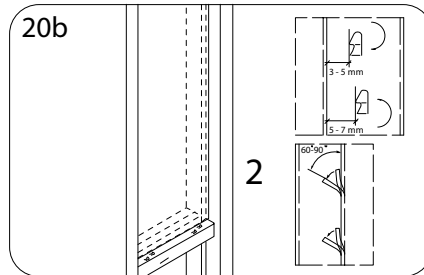
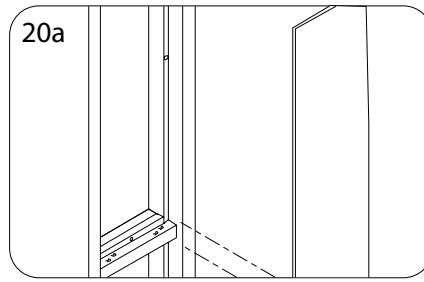
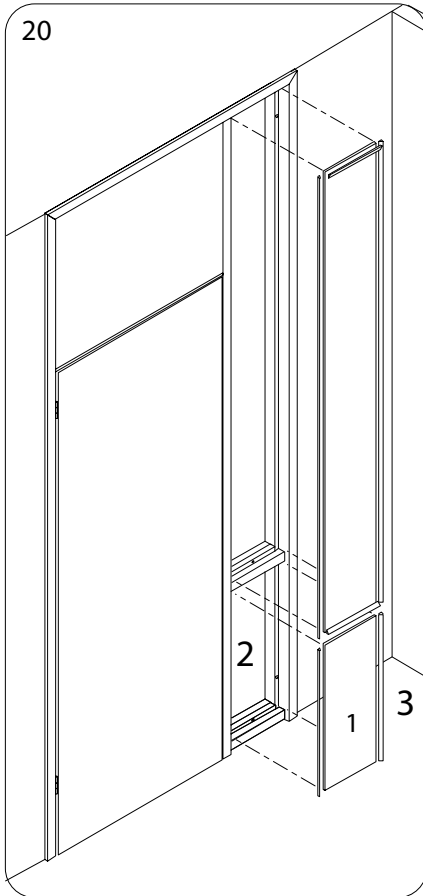
18. Hang the door:
1. Fit the bottom halves of the hinges in the hanging stile and secure this side with the supplied Allen screws;
  2. Hang the door:
    - Space between door and frame mounting side is approx. 1.5 mm
    - Adjust the pivot joints with the bottom half of the hinge.



19. Fit the doorstops and the sealing caps:
- 2 x doorstops in the rebated stop of the closing stile
  - 2 x sealing caps Ø 12 mm, for sealings of hinge holes
  - Sealing caps Ø 10 mm, for sealings of other holes in the rebated stop of the door section.

POL00178

## Positioning the glass



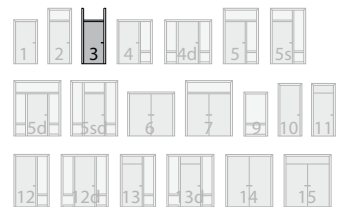
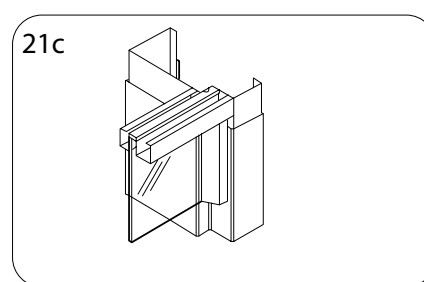
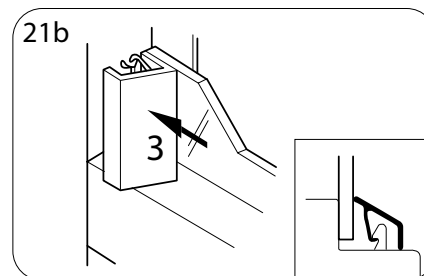
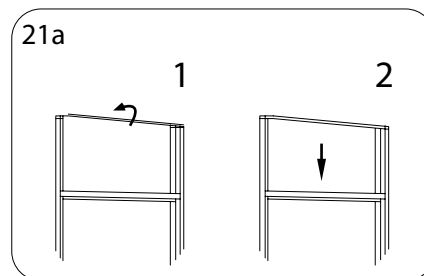
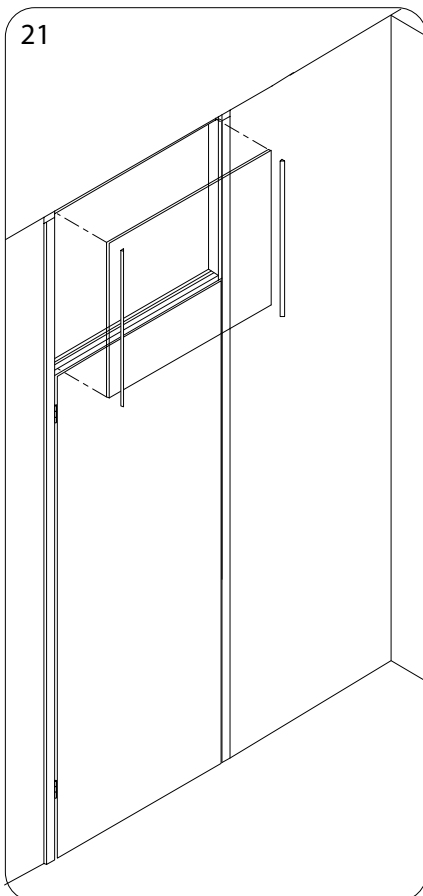
20. Position the glass panels:

### Attention!

The size of the glass must be 5 mm smaller than the glass rebate in height and width.

- Place the glass in the rebate and bend the glass frame lips upwards.

- Clamp the glass frames in the rebate according to the millwork system.



20. Placing glass with the MP3 model

a. Place the glass complete with the variant lintel in the variant transom.

b. Bend the glass frame clips. Push the glass frame over the clips until you hear a "click".



# Always a perfect fit



BE Zandstraat 10, 3460 Bekkevoort | T. +32 (0)13 35 12 00 | F. +32 (0)13 31 27 38 | [info@theuma.be](mailto:info@theuma.be)

NL Sluiswachter 10, 3861 SN Nijkerk | Postbus 1097, 3860 BB Nijkerk | T. +31 (0)88 0027 500 | [info@theuma.nl](mailto:info@theuma.nl)

UK170118