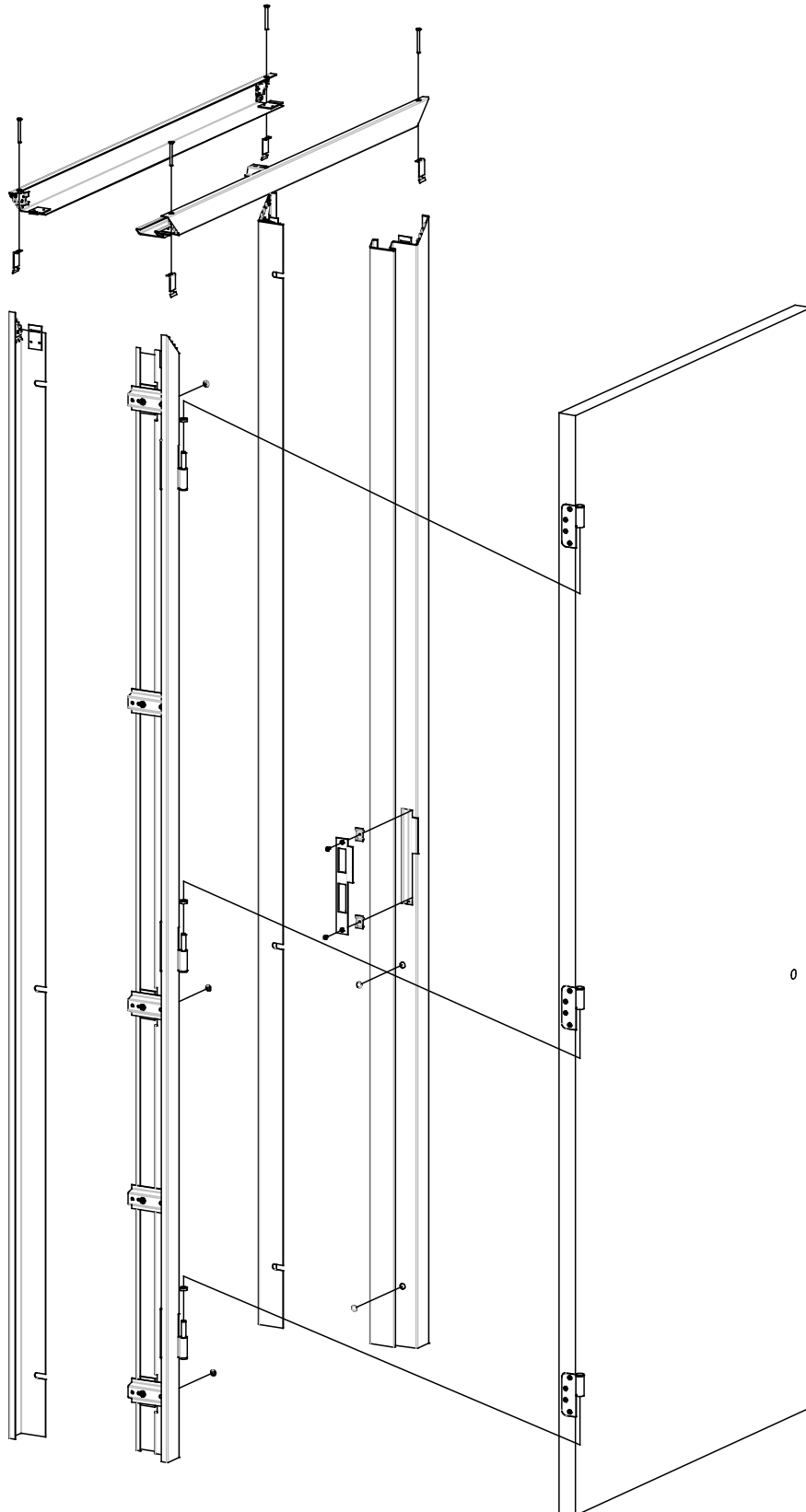
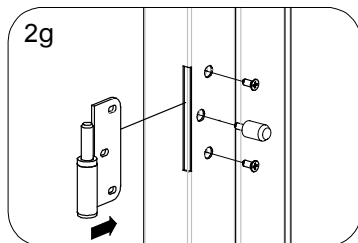


DuoFlex®

Additional assembly instructions Burglar resistant WK2

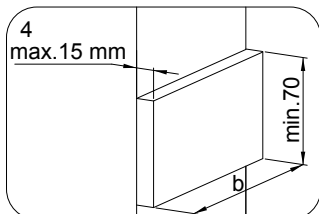
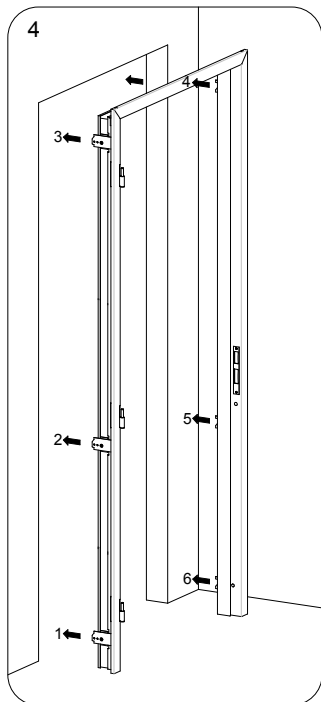


Assembling the front half



Assemble the frame as described in the DuoFlex assembly manual. See page 12, diagram 2g. Insert the lift-off hinge in the slot of the frame. Make sure the front side of the plate is level with the inside of the frame. Fasten the lift-off hinge with the supplied stainless steel bolts and the screw-in hinge pin.

Installing the front half



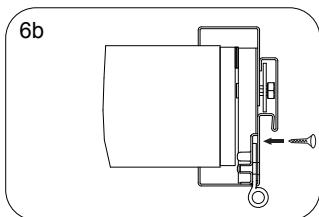
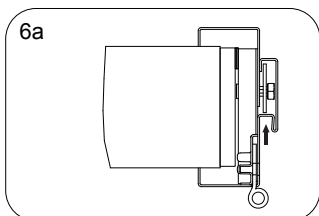
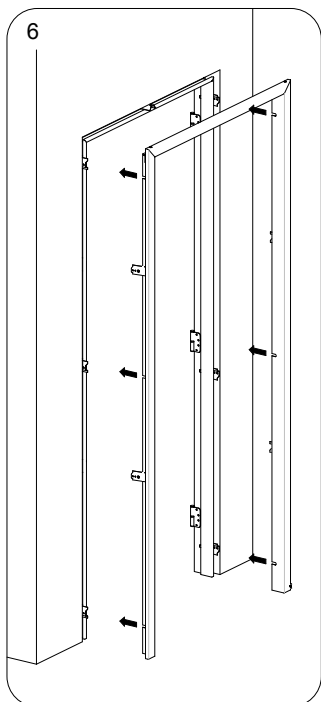
Mount the mounting blocks and the front half of the frame according to the assembly instructions, see page 16. However, you need give mounting blocks per stile: three for the front half and two for the back half. Place the blocks flush with the back side of the wall and at the height of the slotted brackets.

Note:

When positioning the mounting blocks, allow for the screw location, so that the bracket can be fastened to the mounting blocks.

Place the pre-assembled front half in the recess. Make sure that there is equal play around the frame and that the front side is properly flush against the wall. Use glue clamps as needed.

Installing the back half



Place the back half according to the assembly manual, see page 18.

Fit the pre-assembled back half into the front half. Make sure that the slot holes fit around the assembly bolts (M8) and that the back half is properly flush against the wall. Use glue clamps as needed.

Fasten the back half by screwing in the assembly bolts (M8) using the open-end spanner (SW13), see diagram 6a.

Fasten the back half on the mounting blocks using screws (for example, wood screws, minimally $\text{\O} 5$ mm, length 50 mm).

To screw in the screws, use the holes in the groove, see diagram 6b.



Belgium
Zandstraat 10 / B-3460 Bekkevoort
t. +32 (0)13 351 200 / f. +32 (0)13 312 738
www.theuma.com / info@theuma.be

Netherlands
Sluiswachter 10 / NL-3831 SN Nijkerk
Postbus 1097 / NL-3860 BB Nijkerk
t. +31 (0)88 00 27 500 / f. +31 (0)88 00 27 400
www.theuma.com / info@theuma.nl